



**SP22E Conductive Plastic
Precision Single Turn Potentiometer**

HOME PAGE

Linear Motion Potentiometers

Single Turn Potentiometers

Multi-Turn Potentiometers

Industrial Joysticks

Foot Controllers

Valve Actuators

Turn Counting Dials

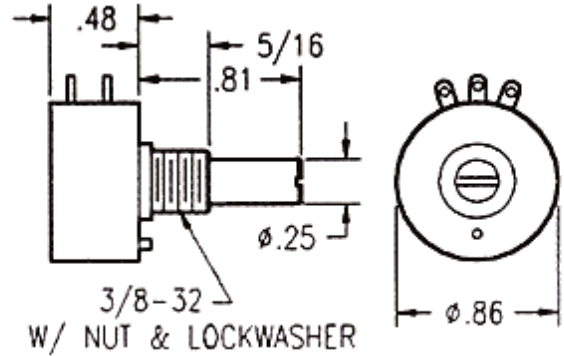
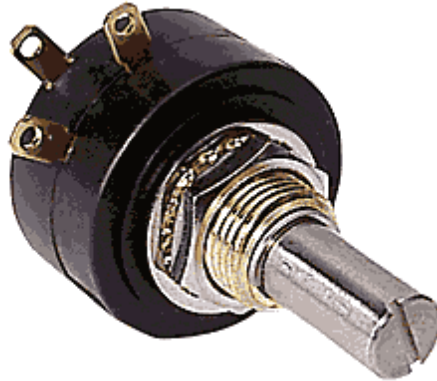
Cross Reference

ETI Systems Sales Reps

ETI Systems Distributors

RoHS/WEEE

Contact
ETI Systems at:
(760) 929-0749
eti@etisystems.com



SP22E Single Turn Potentiometer

- Conductive Plastic Element. Gold Plated Terminals.
- High Temp. Thermoplastic Housing. Stainless Steel Shaft.
- Recommended for Medical Equipment (non-life support), Robotics, Industrial, Test and Lab Equipment.
- Life Expectancy: 10 million turns
- Resistance Tolerance: $\pm 10\%$ standard ($\pm 10\%$ available)
- Linearity Tolerance: $\pm 1.0\%$ standard ($\pm 0.5\%$ available)
- Electrical Angle: $320^\circ \pm 5^\circ$
- Mechanical Angle: $320^\circ \pm 5^\circ$
- Power Rating: 1 Watt
- Torque: Below 0.8 oz. in.
- Weight: Approx. 0.7 oz.

For Additional Product Information, refer to the [Single Turn Potentiometer Design Guide](#)

Request For Quotation (Requires User Registration)

Electrical Specifications:

Resistance Value (500 to 100K ohms standard)

Mechanical Options:

- **CT** Center Tap
- **SB** Sealed Body
- **NS** No Stops (Rotational angles become 320° electrical & 360° mechanical)
- **FL** Flatted Shaft (Indexed to CCW terminal)
- **SL** Side Load Treatment (to provide extended bushing life)
Servo mounting with ball bearings
- **S** (Rotational angles become 320° electrical & 360° mechanical and life expectancy become 20,000,000 turns)

Comments & Special Requirements:

Quantity Required

Date Required

Return to: [Single Turn Potentiometer Selection Guide](#)

Call ETI Systems at **(760)929-0749** to order by phone
or for assistance with your custom application